

Prima

AP 6.5 Ohm2

Woofer 210 W Peak Power 165 mm 2 ohm

AP 6.5 ohm2 woofer has been developed with 2 ohm nominal impedance with the purpose of exploiting all the power made available by the AP8.9 bit amplifier capable of 65W into a 2 ohm load. To maximize the woofer efficiency achieving 95 dB, a 25 mm diameter 10 mm winding height coil, so a more lightweight coil, has been employed, at the same time also providing a linear excursion 2.8 mm higher than the one of AP 6.5 (4 ohm), therefore ensuring high SPL values with minimum distortion even at high listening levels. To extend the woofer's frequency range down to low frequencies up to 50 Hz a 75 Hz resonance frequency has been chosen, achieving excellent low frequency output even without the use of a subwoofer.



TECHNICAL SPECS

Size	165 mm
Power Handling - Peak	210 W
Power Handling - Continuous	70 W
Impedance	4 Ohm
Frequency Response	60 ÷ 5k Hz
Voice Coil Ø	25 mm
Woofer Qes	0,73
Xmax	2.8 mm

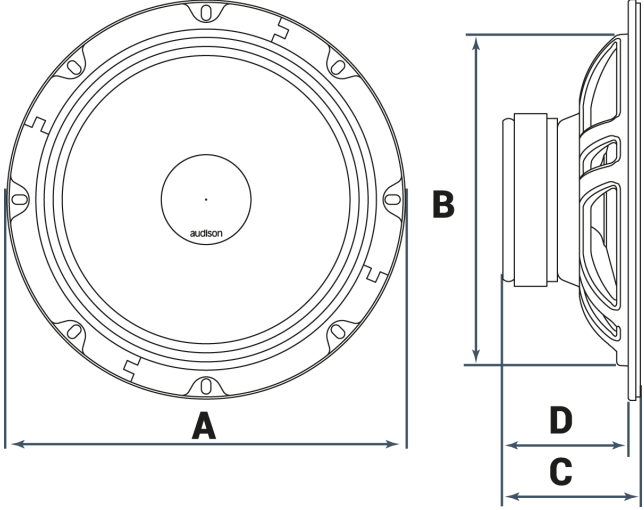
ELECTRIC-ACOUSTIC SPECS

Driver Displacement Volume	95
Re	2.1 Ohm
Fs	75 Hz
Vas	8.5 l
Mms	10.5 g
Cms	0.4 mm/N
BL	3.8 T•m
Qms	4.8
Qts	0.63
Le Standard	0.15 mH
Spl	95 dB

GENERAL

Weight	0.78 kg
--------	---------

DIMENSIONS

	
Dimension A	165 mm
Dimension B	141 mm
Dimension C	77.3 mm
Dimension D	58.5 mm

All the specifications subject to change without notice_20.A